

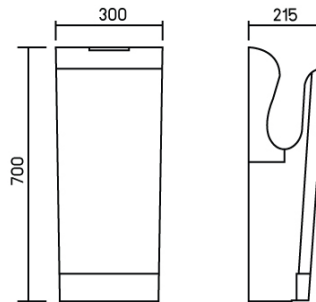


MATERIAL APPROVAL

| | |
|-------------|----------------------|
| Description | Jet Hand Dryer 2 Way |
| Model | MH-113 |
| Brand | MARVEL |



MODEL : MH-113
(mm.)



Product Specification

| | |
|-----------------|------------------------|
| Material | ABS |
| Power | 750 W. |
| Voltage | 220 - 240 VAC 50/60 Hz |
| Heating Power | 1000-1200 W. |
| Total Power | 1650-2050 W. |
| Air Speed | 90 m/s |
| Air Temperature | 20-40 °C |
| Unit Weight | 9.5 Kg. |
| Noise Level | 65-70 dB |
| Warranty | 1 Year |
| Standard | TIS 1985-2549 |



8,10 ซอยติวานนท์ 14 ต.ตลาดขวัญ
 อ.เมืองนนทบุรี จ.นนทบุรี 11000
www.marvelcompany.com

8,10 Soi Tiwanon 14, Talat Khwan,
 Muang Nonthaburi, Nonthaburi 11000
www.marveltechnology.co.th

Tel : +66(0)2978-5650-2
 e-mail : sales@marvelcompany.com

